

# MITSUBISHI ELECTRIC

## Display Solutions

### SD510U

crystal clear  
display solutions



Engineered for Richer Colours and Long-life performance

#### Functional Performance at its best

- 2600 ANSI lumens
- 2000:1 contrast ratio
- Super low noise operation at 29dBa (low mode)
- Splash screen wall screen support

#### Lower Cost of Ownership for a Better Investment

- Long-life lamp of 4000 hours (low mode)
- Top-access lamp cover for easy lamp replacement
- Filter-free design
- Enhanced security features with reinforced anchor bars and password protection
- Time-saving instant shut down feature



Top Access Lamp Cover



Splash screen

#### BrilliantColour™ Technology and Mitsubishi Engineering Provide Superior Colour Performance

BrilliantColour™ Technology is the latest innovation to produce richer colours and vibrant images. To further enhance performance, Mitsubishi has developed a new 6-segment colour wheel, adding yellow and cyan segments to the usual red, green, blue and white segments, therefore producing a wider colour spectrum. In addition, colour algorithms have been coded to provide emphasis on brightness or colour modes, according to the environment.

The above technology coupled with selective lamp powered modulation techniques, ensures that the SD510U acts intelligently to boost colours, improving the intensity and vibrancy of the entire displayed image.

**2600 ANSI LUMENS 4000 HOUR LAMP LIFE**

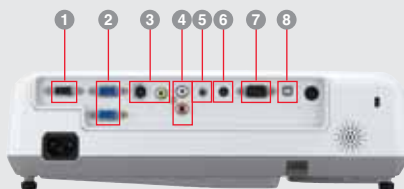
NEW



Mobile SVGA **SD510U**



### Input and Output Terminals



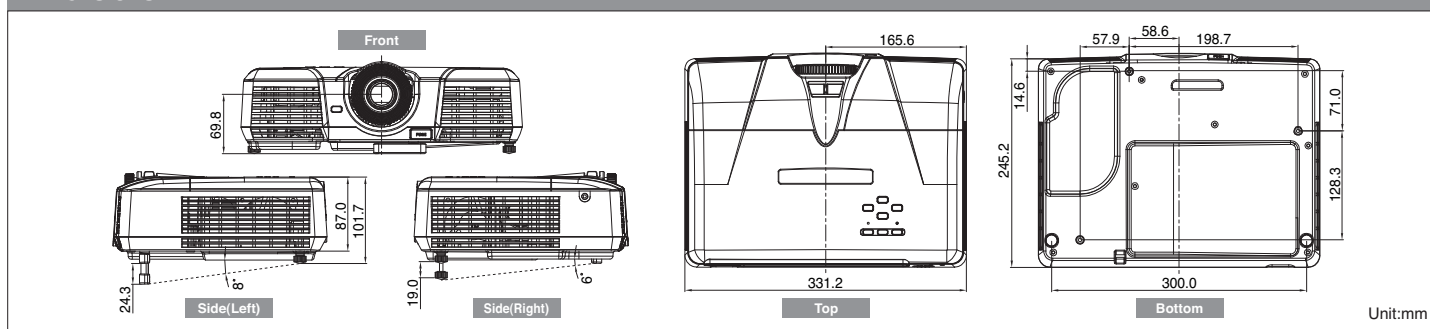
- ① PC / Component Video output
- ② PC / Component Video input (mini D-sub 15pin)
- ③ S-Video / RCA
- ④ Audio input [RCA jack (L/R)]
- ⑤ Audio input (stereo mini jack)
- ⑥ Audio output
- ⑦ Serial RS-232C
- ⑧ USB terminal for Page Up/Down

### Specifications

|                         |  |
|-------------------------|--|
| Model                   | SD510U   |
| Display technology      | 0.55"1-Chip DMD  |
| Resolution              | 800 x 600 (total 480,000 pixels)   |
| Brightness              | 2600 ANSI lumens   |
| Contrast                | 2000:1   |
| Picture Size            | 40"~300"   |
| Source lamp             | 180W (Shut Off Time 4000Hrs) with Low Mode<br>230W (Shut Off Time 2000Hrs) with Standard Mode  |
| Computer compatibility  | 640 x 480 ~ 1280 x 1024 (except WXGA)<br>True: 800 x 600, Sync on green available  |
| Video compatibility     | NTSC / NTSC4.43 / PAL (including PAL-M, N) / SECAM/PAL-60, Component Video : 480i/p (525i/p), 576i/p (625i/p), 720p (750p), 1080i (1125i 60Hz), 1080i (1125i 50Hz) |
| Input terminals         | RGB : mini D-sub15pin x 2, Video : RCA x 1 + S-video x 1<br>Audio : stereo mini jack (φ3.5mm) x 1, RCA jack (L/R) x 1  |
| Output terminals        | RGB : mini D-sub15pin x 1, Audio : stereo mini jack (φ3.5mm) x 1   |
| Communication terminals | RS-232C (D-sub 9pin) x 1, USB terminal for Page Up/Down x 1  |
| Audio speaker           | 2W mono  |
| Fan noise               | 29dBA (Low Mode)   |
| Dimensions(WxHxD)       | 332 x 102 x 250 mm / 13.1 x 4.0 x 9.8 inch (excluding height adjustment)   |
| Weight                  | 2.9kg / 6.5lbs   |
| Power supply            | AC100-240V, 50/60Hz  |
| Optional lamp           | VLT-XD510LP  |

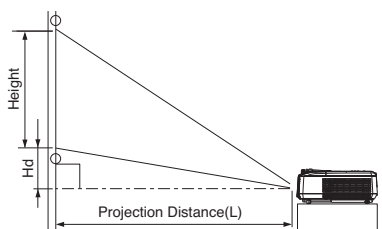
\*All brand names and product names are trademarks, registered trademarks or trade names of their respective holders.

### Dimensions



### Screen size and Projection distance

As seen from the side



Screen size chart

| Screen (4:3 aspect ratio) |           | Distance from screen (L) |          |         |          | Height projected image (Hd) |     |     |      |      |    |
|---------------------------|-----------|--------------------------|----------|---------|----------|-----------------------------|-----|-----|------|------|----|
|                           |           | Shortest                 |          | Longest |          |                             |     |     |      |      |    |
| Diagonal size             | Width (W) | Height (H)               | Shortest | Longest | Shortest | Longest                     |     |     |      |      |    |
| inch                      | cm        | inch                     | cm       | inch    | m        | inch                        | m   |     |      |      |    |
| 40                        | 102       | 32                       | 81       | 24      | 61       | 51                          | 1.3 | 62  | 1.6  | 1.8  | 5  |
| 60                        | 152       | 48                       | 122      | 36      | 91       | 77                          | 2.0 | 94  | 2.4  | 2.7  | 7  |
| 80                        | 203       | 64                       | 163      | 48      | 122      | 103                         | 2.6 | 125 | 3.2  | 3.6  | 9  |
| 100                       | 254       | 80                       | 203      | 60      | 152      | 129                         | 3.3 | 157 | 4.0  | 4.5  | 11 |
| 150                       | 381       | 120                      | 305      | 90      | 229      | 195                         | 4.9 | 236 | 6.0  | 6.8  | 17 |
| 200                       | 508       | 160                      | 406      | 120     | 305      | 260                         | 6.6 | 315 | 8.0  | 9.0  | 23 |
| 250                       | 635       | 200                      | 508      | 150     | 381      | 326                         | 8.3 | 394 | 10.0 | 11.3 | 29 |
| 300                       | 762       | 240                      | 610      | 180     | 457      | 391                         | 9.9 | -   | -    | 13.5 | 34 |

The above numbers are approximate, and may be slightly different from the actual measurements.

MITSUBISHI ELECTRIC EUROPE

New publication, effective December 2007 Specifications subject to change without notice.