



MITSUBISHI ELECTRIC

Display Solutions

WL639U



crystal clear
display solutions



WL639U Portable, fully featured WXGA projector

Widescreen Solution

The WL639U WXGA projector (1280 x 800) has been introduced to support the shift towards wider format solutions.

Depending on the application, two windows can be displayed at once such as the menu screen and the preview domains.

Fully Networkable

The integrated LAN and PLink interface enables users to fully network the WL639U. Using the ProjectorView software option users can connect the projector to their network for remote management from a PC.

Quiet Fan Noise

Clear and quiet presentations even in a busy room is achieved with the 'lamp low' mode producing a low fan noise of 29dBA.

Noise Level Examples

Quiet house late at night	Whispering voices	Daytime residential district
29dBA	30 - 40dBA	40dBA and above

Long Lamp Life

The WL639U benefits from 4000 hours of lamp life helping to keep the overall cost of ownership low.

Side Loading Lamp:

The lamp may be removed from the side of the WL639U quickly and easily. This eliminates the need to remove the projector from its installed position for easy lamp maintenance.



Security Anchor

Helping to prevent unauthorised removal of this projector the security anchor allows users to pass a lockable chain through the projector hook.



Note: Mitsubishi Electric cannot accept responsibility for thefts occurring despite use of this safety feature.

| 3500 ANSI LUMENS | 4000 HOUR LAMP LIFE |

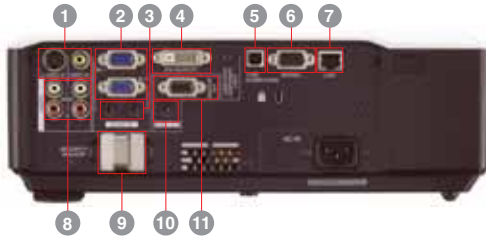




WL639U **sRGB** BrightEra™

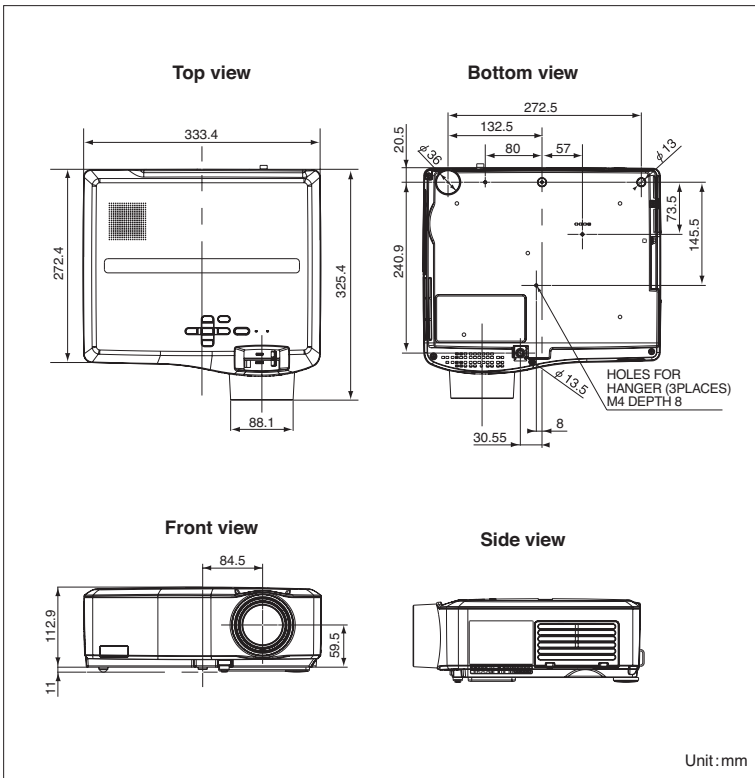
PORTABLE WXGA PROJECTOR

Input and Output Terminals



- ① S-Video / Video input
- ② PC / Component Video input (mini D-sub 15pin)
- ③ PC / Audio input
- ④ DVI-D (with HDCP) input
- ⑤ USB terminal for mouse control
- ⑥ Serial RS-232C (D-sub 9pin)
- ⑦ LAN (RJ-45)
- ⑧ Video / Audio input
- ⑨ Security Anchor
- ⑩ Audio output
- ⑪ Monitor output

Dimensions



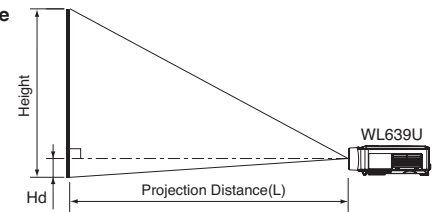
Specifications

Model	WL639U
Display technology	0.75" 3-LCD
Resolution	1280 x 800 (total 1,024,000 pixels)
Brightness	3500lm
Contrast	600:1
Projection lens	f=24-29mm, F1.7-1.9
Picture Size	40"~300"
Source lamp	220W (Shut Off Time 4000Hrs) with Low Mode 261W (Shut Off Time 2000Hrs)
Computer compatibility	640 x 480 ~ 1920 x 1080 True: 1280 x 800, Sync on green available
Video compatibility	NTSC/NTSC4.43/PAL (including PAL-M, N)/SECAM/PAL-60, Component Video: 480i/p (525i/p), 576i/p (625i/p), 720p (750p 50/60Hz), 1080i (1125i 50/60Hz), 1080p (1125p 50/60Hz), SCART (RGB+1V sync)
PC input terminals	PC: mini D-sub 15pin x 2, DVI-D (with HDCP) x 1, Audio: stereo mini (φ3.5) x 2
Video input terminals	Video: RCA x 1, S-video x 1, Audio: RCA (L,R) x 2
Output terminals	Monitor Out: mini D-sub 15pin x 1, Audio: stereo mini (φ3.5) x 1
Communication terminals	LAN (RJ-45) x 1, RS-232C (D-Sub 9 pin) x 1, USB terminal for mouse control x 1
Audio speaker	3W mono
Fan noise	29dBA (at Low Mode)
Dimension (WxHxD)	333 x 113 x 272mm (excluding height adjustment)
Weight	4.7kg / 10.4lbs
Power supply	AC100 - 240V, 50/60Hz
Optional lamp	VLT-XL650LP

*All brand names and product names are trademarks, registered trademarks or trade names of their respective holders.

Screen size and Projection distance

As seen from the side



Screen size chart (WXGA)

Screen		Distance from screen (L)				Height projected image (Hd)					
Diagonal size	Width (W)	Height (H)	Shortest	Longest	inch	cm	inch	cm			
40	102	34	86	21	54	49	1.2	59	1.5	0.5	1
60	152	51	129	32	81	74	1.9	90	2.3	0.8	2
80	203	68	172	42	108	100	2.5	121	3.1	1.1	3
100	254	85	215	53	135	125	3.2	151	3.8	1.3	3
150	381	127	323	79	202	189	4.8	228	5.8	2.0	5
200	508	170	431	106	269	252	6.4	305	7.7	2.6	7
250	635	212	538	132	337	315	8.0	381	9.7	3.3	8
300	762	254	646	159	404	379	9.6	-	-	3.9	10

The above numbers are approximate, and may be slightly different from the actual measurements.

Option



Lamp
VLT-XL650LP

MITSUBISHI ELECTRIC EUROPE

New publication, effective July 2007 Specifications subject to change without notice.