

MITSUBISHI ELECTRIC

Display Solutions

XD500U

crystal clear
display solutions



Engineered to produce Richer Colours for Business & Education

Functional Performance at its best

- 2200 ANSI lumens
- 1500 ANSI lumens in low mode
- 2000:1 contrast ratio
- Super low noise operation at 26dBA (low mode)
- Splash screen and wall screen support
- 3 year deinstall/reinstall warranty for the education and public sector
- Orange version available for education applications
- 3 year lamp replacement warranty for education applications only

Lower Cost of Ownership for a Better Investment

- Long-life lamp of 3000 hours (low mode)
- Top-access lamp cover for easy lamp replacement
- Filter-free design
- Enhanced security features with reinforced anchor bars and password protection
- Time-saving instant shut down feature



Top Access Lamp Cover



Splash screen

BrilliantColour™ Technology and Mitsubishi Engineering Provide Superior Colour Performance

BrilliantColour™ Technology is the latest innovation to produce richer colours and vibrant images. To further enhance performance, Mitsubishi has developed a new 6-segment colour wheel, adding yellow and cyan segments to the usual red, green, blue and white segments, therefore producing a wider colour spectrum. In addition, colour algorithms have been coded to provide emphasis on brightness or colour modes, according to the environment.

The above technology coupled with selective lamp powered modulation techniques, ensures that the XD500U acts intelligently to boost colours, improving the intensity and vibrancy of the entire displayed image.

**2200 ANSI LUMENS (1500 ANSI LUMENS LOW MODE)
3000 HOUR LAMP LIFE**

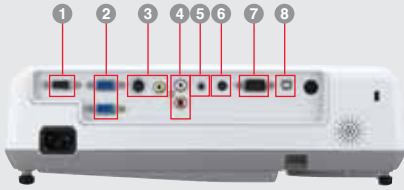
NEW



Mobile XGA **XD500U**



Input and Output Terminals



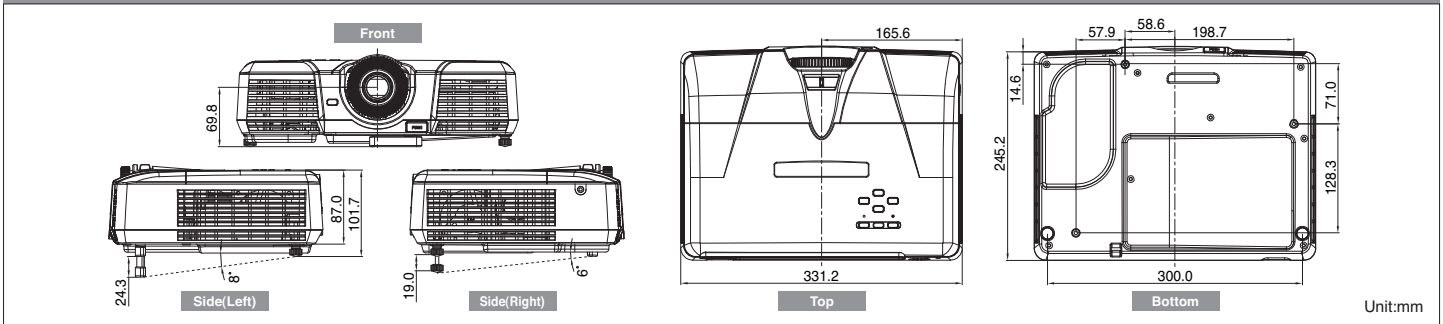
- 1 PC / Component Video output
- 2 PC / Component Video input (mini D-sub 15pin)
- 3 S-Video / RCA
- 4 Audio input [RCA jack (L/R)]
- 5 Audio input (stereo mini jack)
- 6 Audio output
- 7 Serial RS-232C
- 8 USB terminal for Page Up/Down

Specifications

Model	XD500U
Display technology	0.55"1-Chip DMD
Resolution	1024 x 768 (total 786,432 pixels)
Brightness	2200 ANSI lumens (1500 ANSI lumens eco mode)
Contrast	2000:1
Picture Size	40"~300"
Source lamp	150W (Shut Off Time 3000Hrs) with Low Mode 200W (Shut Off Time 2000Hrs) with Standard Mode
Computer compatibility	640 x 480 ~ 1280 x 1024 True: 1024 x 768, Sync on green available
Video compatibility	NTSC / NTSC4.43 / PAL (including PAL-M, N) / SECAM/PAL-60. Component Video : 480i/p (525i/p), 576i/p (625i/p), 720p (750p), 1080i (1125i 60Hz), 1080i (1125i 50Hz)
Input terminals	RGB : mini D-sub15pin x 2, Video : RCA x 1 + S-video x 1 Audio : stereo mini jack (φ 3.5mm) x 1, RCA jack (L/R) x 1
Output terminals	RGB : mini D-sub15pin x 1, Audio : stereo mini jack (φ 3.5mm) x 1
Communication terminals	RS-232C (D-sub 9pin) x 1, USB terminal for Page Up/Down x 1
Audio speaker	2W mono
Fan noise	26dBA (Low Mode)
Dimensions(WxHxD)	332 x 102 x 250 mm / 13.1 x 4.0 x 9.8 inch (excluding height adjustment)
Weight	2.9kg / 6.5lbs
Power supply	AC100-240V, 50/60Hz
Optional lamp	VLT-XD500LP

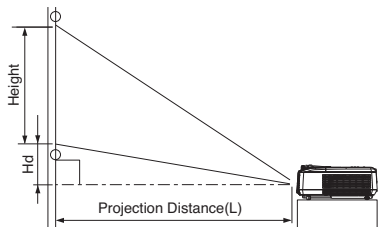
*All brand names and product names are trademarks, registered trademarks or trade names of their respective holders.

Dimensions



Screen size and Projection distance

As seen from the side



Screen size chart

		Screen (4:3 aspect ratio)				Distance from screen (L)				Height projected image (Hd)	
Diagonal size		Width (W)		Height (H)		Shortest		Longest		Height projected image (Hd)	
inch	cm	inch	cm	inch	cm	inch	m	inch	m	inch	cm
40	102	32	81	24	61	55	1.4	68	1.7	1.8	5
60	152	48	122	36	91	84	2.1	103	2.6	2.7	7
80	203	64	163	48	122	112	2.8	137	3.5	3.6	9
100	254	80	203	60	152	141	3.6	172	4.4	4.5	11
150	381	120	305	90	229	212	5.4	259	6.6	6.8	17
200	508	160	406	120	305	283	7.2	345	8.8	9.0	23
250	635	200	508	150	381	354	9.0	432	11.0	11.3	29
300	762	240	610	180	457	425	10.8	-	-	13.5	34

The above numbers are approximate, and may be slightly different from the actual measurements.

MITSUBISHI ELECTRIC EUROPE

New publication, effective December 2007 Specifications subject to change without notice.